

# OILGEAR

## VRS PUMP MOUNT RELIEF VALVES

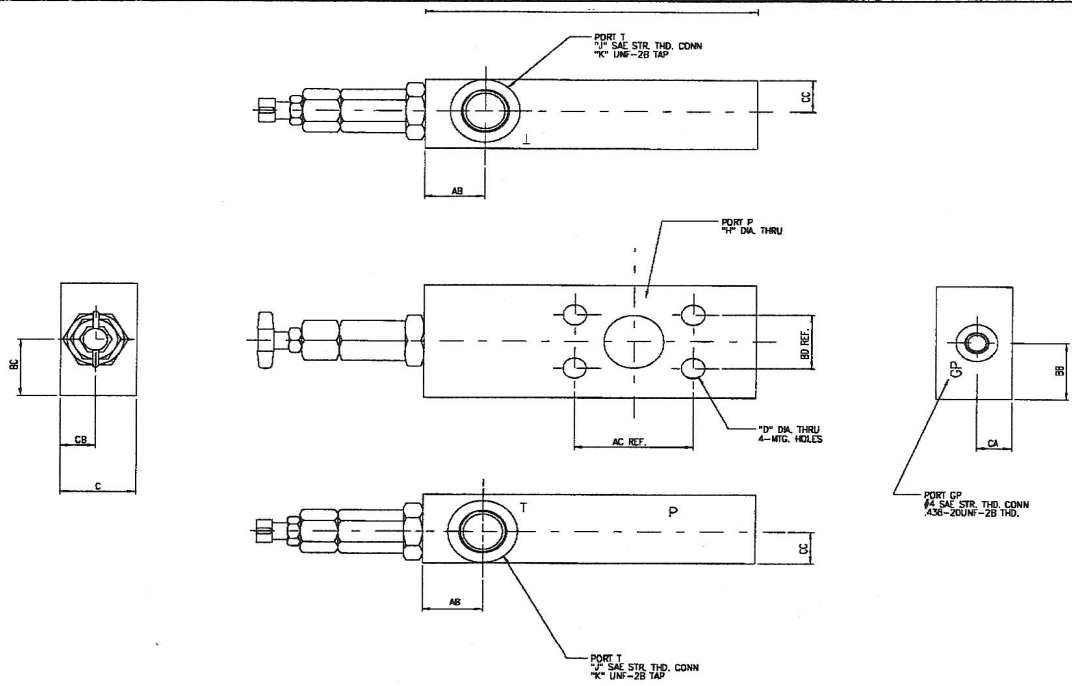
| DEC-KIT NUMBER        | DISCRIPTION                        | MAX PRESSURE | DMIC BOLT & "O" RING KIT | BOLTS                  | O-RING | RELIEF        |
|-----------------------|------------------------------------|--------------|--------------------------|------------------------|--------|---------------|
| VRS-A-__-00-V-A1U-KIT | 1.00" CODE 61 SAE STR THREAD       | 3000 PSI     | BKA-1000-1111            | 3/8"-16 X 1-1/2" SHCS  | 2-219  | HSRS-802-P-__ |
| VRS-B-__-00-V-A1U-KIT | 1.25" CODE 61 SAE STR THREAD       | 3000 PSI     | BKA-1250-1111            | 7/16"-14 X 1-1/2" SHCS | 2-222  | HSRS-802-P-__ |
| VRS-C-__-00-V-A1U-KIT | 1.50" CODE 61 SAE STR THREAD       | 3000 PSI     | BKA-1500-1111            | 1/2"-13 X 1-3/4" SHCS  | 2-225  | HSRS-802-P-__ |
| VRS-D-__-00-V-A1U-KIT | 2.00" CODE 61 SAE STR THREAD       | 3000 PSI     | BKA-2000-1111            | 1/2"-13 X 1-3/4" SHCS  | 2-228  | HSRS-802-P-__ |
| VRS-E-__-00-V-A1U-KIT | 1.00" CODE 62 SAE STR THREAD       | 6000 PSI     | BKB-1000-1111            | 7/16"*14 X 1-3/4" SHCS | 2-219  | HSRS-802-P-__ |
| VRS-F-__-00-V-A1U-KIT | 1.50" CODE 62 SAE STR THREAD       | 6000 PSI     | BKB-1500-1111            | 5/8"-11 X 2-1/4" SHCS  | 2-225  | HSRS-802-P-__ |
| VRS-G-__-00-V-A1U-KIT | 2.00" CODE 61 SAE 2" SAE FLANGE    | 3000 PSI     |                          |                        | 2-228  | HSRS-802-P-__ |
| VRS-H-__-00-V-A1U-KIT | 2.00" CODE 62 SAE 2" SAE FLANGE    | 6000 PSI     |                          |                        | 2-228  | HSRS-802-P-__ |
| VRS-J-__-00-V-A1U-KIT | 1.50" CODE 61 SAE 1.50" SAE FLANGE | 3000 PSI     |                          |                        | 2-225  | HSRS-802-P-__ |
| VRS-K-__-00-V-A1U-KIT | 1.50" CODE 62 SAE 1.50" SAE FLANGE | 6000 PSI     |                          |                        | 2-225  | HSRS-802-P-__ |
| VRS-L-__-00-V-A1U-KIT | 1.25" CODE 61 SAE 1.25" SAE FLANGE | 3000 PSI     |                          |                        | 2-222  | HSRS-802-P-__ |
| VRS-M-__-00-V-A1U-KIT | 1.25" CODE 62 SAE 1.25" SAE FLANGE | 6000 PSI     |                          |                        | 2-222  | HSRS-802-P-__ |
| VRS-N-__-00-V-A1U-KIT | 1.00" CODE 61 SAE 1.00" SAE FLANGE | 3000 PSI     |                          |                        | 2-219  | HSRS-802-P-__ |
| VRS-P-__-00-V-A1U-KIT | 1.00" CODE 62 SAE 1.00" SAE FLANGE | 6000 PSI     |                          |                        | 2-219  | HSRS-802-P-__ |
| VRS-R-__-00-V-A1U-KIT | 1.25" CODE 62 SAE STR THREAD       | 6000 PSI     | BKB-1250-1111            | 1/2"-13 X 1-3/4" SHCS  | 2-222  | HSRS-802-P-__ |

INSERT PRESSURE RATING \_\_\_\_ 07= 50-700 PSI  
 20= 50-2000 PSI  
 35= 50-3500 PSI  
 50= 50-5000 PSI

**MOST COMMON STOCK RELIEF**



| SAE FLANGE SIZE | TYPE | A    | B    | C    | D    |     |     |     | H     | J   | K        | AA   | AB   | AC    | BA   | BB   | BC   | BD    | CA   | CB   | CC   |
|-----------------|------|------|------|------|------|-----|-----|-----|-------|-----|----------|------|------|-------|------|------|------|-------|------|------|------|
| 2.00-3000 PSI   | "G"  | 6.50 | 3.00 | 2.00 | .531 | --- | --- | --- | 1.875 | #12 | 1.062-12 | 4.50 | 1.19 | 3.062 | 1.50 | 1.50 | 1.50 | 1.688 | 1.00 | 1.00 | 1.00 |
| 2.00-6000 PSI   | "H"  | 7.75 | 4.00 | 2.00 | .812 | --- | --- | --- | 2.000 | #12 | 1.062-12 | 5.12 | 1.19 | 3.812 | 2.00 | 2.00 | 2.00 | 1.750 | 1.00 | 1.00 | 1.00 |
| 1.50-3000 PSI   | "J"  | 6.50 | 2.75 | 2.00 | .531 | --- | --- | --- | 1.500 | #12 | 1.062-12 | 4.25 | 1.19 | 2.750 | 1.38 | 1.38 | 1.38 | 1.406 | 1.00 | 1.00 | 1.00 |
| 1.50-6000 PSI   | "K"  | 7.00 | 3.25 | 2.00 | .688 | --- | --- | --- | 1.500 | #12 | 1.062-12 | 4.75 | 1.19 | 3.125 | 1.62 | 1.62 | 1.62 | 1.438 | 1.00 | 1.00 | 1.00 |
| 1.25-3000 PSI   | "L"  | 6.50 | 2.50 | 2.00 | .469 | --- | --- | --- | 1.250 | #10 | .875-14  | 4.12 | 1.19 | 2.312 | 1.25 | 1.25 | 1.25 | 1.188 | 1.00 | 1.00 | 1.00 |
| 1.25-6000 PSI   | "M"  | 6.75 | 2.75 | 2.00 | .531 | --- | --- | --- | 1.250 | #12 | 1.062-12 | 4.50 | 1.19 | 2.625 | 1.38 | 1.38 | 1.38 | 1.250 | 1.00 | 1.00 | 1.00 |
| 1.00-3000 PSI   | "N"  | 6.00 | 2.00 | 2.00 | .406 | --- | --- | --- | 1.000 | #10 | .875-14  | 4.00 | 1.19 | 2.062 | 1.00 | 1.00 | 1.00 | 1.031 | 1.00 | 1.00 | 1.00 |
| 1.00-6000 PSI   | "P"  | 6.75 | 2.50 | 2.00 | .469 | --- | --- | --- | 1.000 | #12 | 1.062-12 | 4.50 | 1.19 | 2.250 | 1.25 | 1.25 | 1.25 | 1.094 | 1.00 | 1.00 | 1.00 |

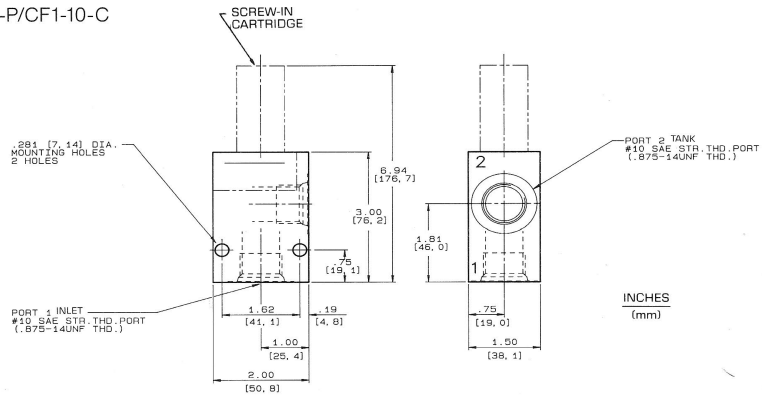


| SAE FLANGE SIZE | TYPE | A    | B    | C    | D    |     |     |     | H     | J   | K        | AA   | AB   | AC    | BA   | BB   | BC   | BD    | CA   | CB   | CC   |
|-----------------|------|------|------|------|------|-----|-----|-----|-------|-----|----------|------|------|-------|------|------|------|-------|------|------|------|
| 2.00-3000 PSI   | "G"  | 6.50 | 3.00 | 2.00 | .531 | --- | --- | --- | 1.875 | #12 | 1.062-12 | 4.50 | 1.19 | 3.062 | 1.50 | 1.50 | 1.50 | 1.688 | 1.00 | 1.00 | 1.00 |
| 2.00-6000 PSI   | "H"  | 7.75 | 4.00 | 2.00 | .812 | --- | --- | --- | 2.000 | #12 | 1.062-12 | 5.12 | 1.19 | 3.812 | 2.00 | 2.00 | 2.00 | 1.750 | 1.00 | 1.00 | 1.00 |
| 1.50-3000 PSI   | "J"  | 6.50 | 2.75 | 2.00 | .531 | --- | --- | --- | 1.500 | #12 | 1.062-12 | 4.25 | 1.19 | 2.750 | 1.38 | 1.38 | 1.38 | 1.406 | 1.00 | 1.00 | 1.00 |
| 1.50-6000 PSI   | "K"  | 7.00 | 3.25 | 2.00 | .688 | --- | --- | --- | 1.500 | #12 | 1.062-12 | 4.75 | 1.19 | 3.125 | 1.62 | 1.62 | 1.62 | 1.438 | 1.00 | 1.00 | 1.00 |
| 1.25-3000 PSI   | "L"  | 6.50 | 2.50 | 2.00 | .469 | --- | --- | --- | 1.250 | #10 | .875-14  | 4.12 | 1.19 | 2.312 | 1.25 | 1.25 | 1.25 | 1.188 | 1.00 | 1.00 | 1.00 |
| 1.25-6000 PSI   | "M"  | 6.75 | 2.75 | 2.00 | .531 | --- | --- | --- | 1.250 | #12 | 1.062-12 | 4.50 | 1.19 | 2.625 | 1.38 | 1.38 | 1.38 | 1.250 | 1.00 | 1.00 | 1.00 |
| 1.00-3000 PSI   | "N"  | 6.00 | 2.00 | 2.00 | .406 | --- | --- | --- | 1.000 | #10 | .875-14  | 4.00 | 1.19 | 2.062 | 1.00 | 1.00 | 1.00 | 1.031 | 1.00 | 1.00 | 1.00 |
| 1.00-6000 PSI   | "P"  | 6.75 | 2.50 | 2.00 | .469 | --- | --- | --- | 1.000 | #12 | 1.062-12 | 4.50 | 1.19 | 2.250 | 1.25 | 1.25 | 1.25 | 1.094 | 1.00 | 1.00 | 1.00 |

# HSRS802-P/CF1-10-C SPIKE RELIEF

# PERFORMANCE IN BLOCK

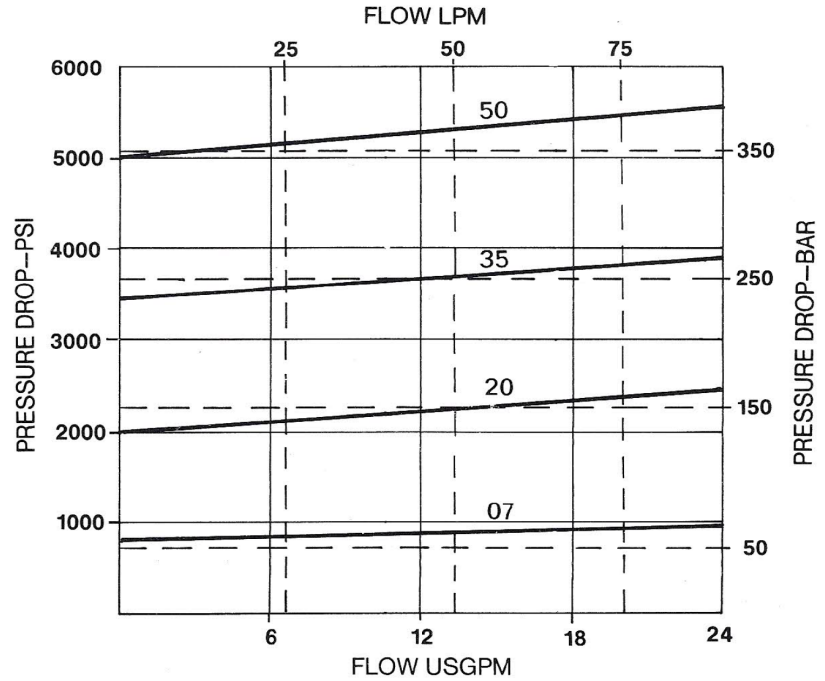
HSR802-P/CF1-10-C



HSRS802-P-

|    | Pressure Range |           |
|----|----------------|-----------|
|    | psi            | bar       |
| 07 | 50- 700        | 3,5-48,0  |
| 20 | 50-2000        | 3,5-172,5 |
| 35 | 50-3500        | 3,5-241,0 |
| 50 | 50-5000        | 3,5-345,0 |

## Performance Curves



## Cartridge With Line Mount Block

# STOCK PUMPS

| CODE NUMBER | PART NUMBER                  | SUCTION PORT   | PRESSURE PORT  | CASE   | SUGGESTED RELIEF      | MOUNT |                           |
|-------------|------------------------------|----------------|----------------|--------|-----------------------|-------|---------------------------|
| 259020      | HPV-6B35-RF-0-1R             | SAE-12         | SAE-12         | SAE-8  | HSRS802-P-35/CF1-10-C | SAE-A |                           |
| 260593      | HPV-6B35-RF-0-1R7            | SAE-12         | SAE-12         | SAE-8  | HSRS802-P-35/CF1-10-C | SAE-A |                           |
| 260584      | HPV-10B35-RF-0-1R7           | SAE-20         | SAE-20         | SAE-10 | HSRS802-P-35/CF1-10-C | SAE-B |                           |
| 259012      | HPV-20B35-RF-0-1R            | SAE-20         | SAE-20         | SAE-12 | HSRS802-P-35/CF1-10-C | SAE-C |                           |
| 259236      | HPV-29B30-RF-0-5S217         | 1-1/2" CODE 61 | 1-1/2" CODE 61 | SAE-12 | VRS-C-35-00-V-A1U-KIT | SAE-C |                           |
| 258936      | HPV-29B30-RF-0-5S            | 1-1/2" CODE 61 | 1-1/2" CODE 61 | SAE-12 | VRS-C-35-00-V-A1U-KIT | SAE-C |                           |
| 260952      | HPV-29B30-RF-0-1R7           | SAE-20         | SAE-20         | SAE-12 | HSRS802-P-35/CF1-10-C | SAE-C |                           |
| 256350      | PVR6-6B15-RF-0-1             | SAE-16         | SAE-12         | SAE-6  | NONE                  | SAE-A |                           |
| 256778      | PVR6-8B15-RF-0-1             | SAE-16         | SAE-12         | SAE-6  | NONE                  | SAE-A |                           |
| 256586      | PVR15-20B15-RF-0-5           | 1-1/2" CODE 61 | 1" CODE 61     | SAE-8  | VRS-A-20-00-V-A1U-KIT | SAE-B |                           |
| 258065      | PVR15-20B15-RF-0-51218B5H60L | 1-1/2" CODE 61 | 1" CODE 61     | SAE-8  | VRS-A-20-00-V-A1U-KIT | SAE-B |                           |
| 256590      | PVR15-30B10-RF-0-5           | 1-1/2" CODE 61 | 1" CODE 61     | SAE-8  | VRS-A-20-00-V-A1U-KIT | SAE-B |                           |
| 102043      | PVX-15B30-RF-0-1SP128115-A   | SAE-24         | SAE-16         | SAE-8  | HSRS802-P-35/CF1-10-C | SAE-B |                           |
| 265274      | PVX-15B30-RF-P-1SP15027115-A | SAE-24         | SAE-16         | SAE-8  | HSRS802-P-35/CF1-10-C | SAE-B |                           |
| 1002173     | PVX-20B30-RF-0-5SP1-28115V-A | 2" CODE 61     | 1-1/4" CODE 61 | SAE-8  | VRS-B-35-00-V-A1U-KIT | SAE-C |                           |
| 1021254     | PVX-29B30-RF-P-5SP15317-A    | 2" CODE 61     | 1-1/4" CODE 61 | SAE-8  | VRS-B-35-00-V-A1U-KIT | SAE-C |                           |
| 1011741     | PVX36B30-RF-0-5SP127115-A    | 2" CODE 61     | 1-1/4" CODE 61 | SAE-8  | VRS-B-35-00-V-A1U-KIT | SAE-C |                           |
| LH70018-048 | PVG-130-F1UV-RDFY-P-20RSN-CP | 2-1/2" CODE 61 | 1-1/2" CODE 62 | SAE-16 | VRS-F-35-00-V-A1U-KIT | SAE-C | LONG SHAFT 1-1/2" X 3.57" |

## DMIC STOCKED FLANGE KITS

| PART NUMBER    | CODE | SIZE   | PORT       |
|----------------|------|--------|------------|
| FL4SU-1000-SSK | 61   | 1"     | SAE #16    |
| FL4SU-1250-SSK | 61   | 1-1/4" | SAE #20    |
| FL4SU-1500-SSK | 61   | 1-1/2" | SAE #24    |
| FL4SU-2000-SSK | 61   | 2"     | SAE #32    |
| FL4SU-2500-NSK | 61   | 2-1/2" | 2-1/2" NPT |

|                |    |        |         |
|----------------|----|--------|---------|
| FH4SU-1500-SSK | 62 | 1-1/2" | SAE #24 |
|----------------|----|--------|---------|

